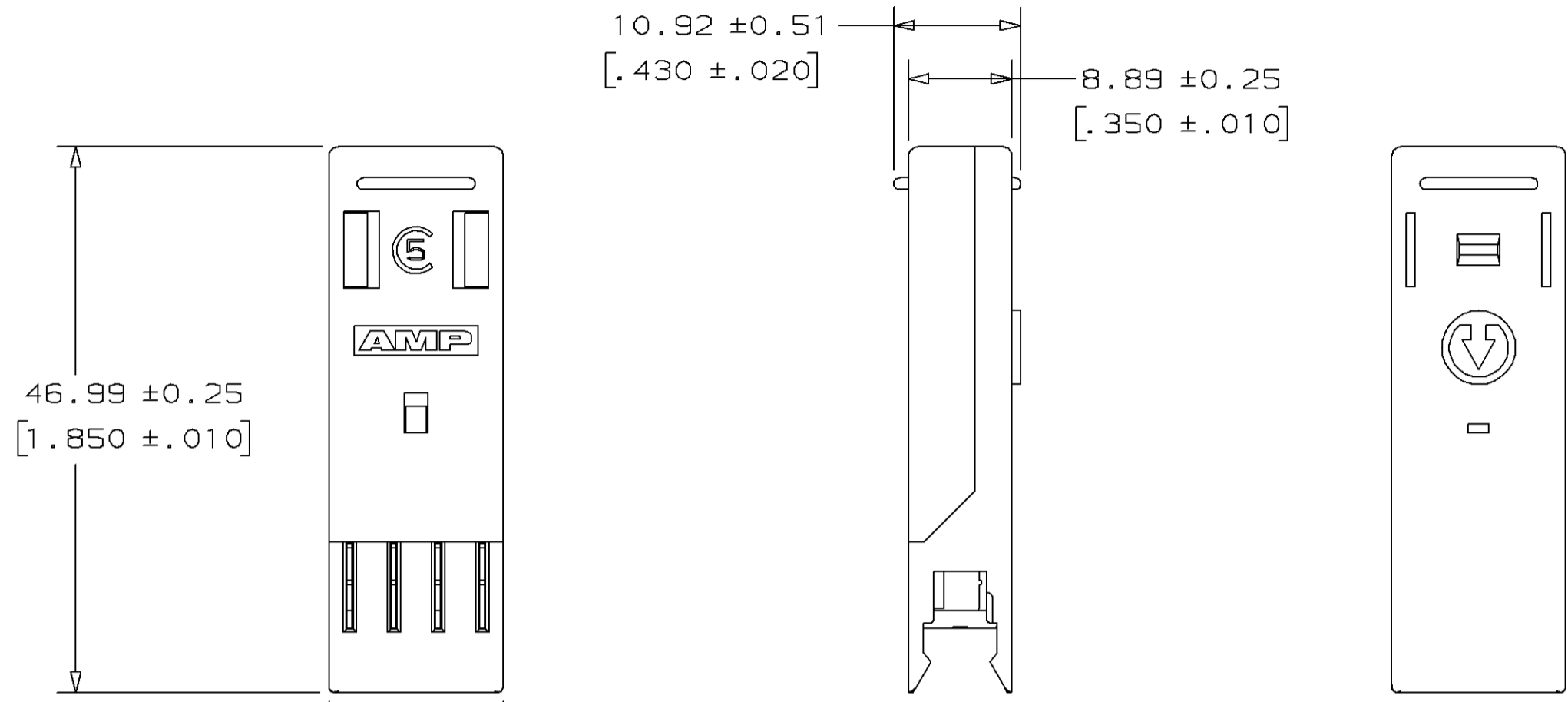


THIS DRAWING IS UNPUBLISHED. RELEASED FOR PUBLICATION  
 BY AMP INCORPORATED. ALL RIGHTS RESERVED.

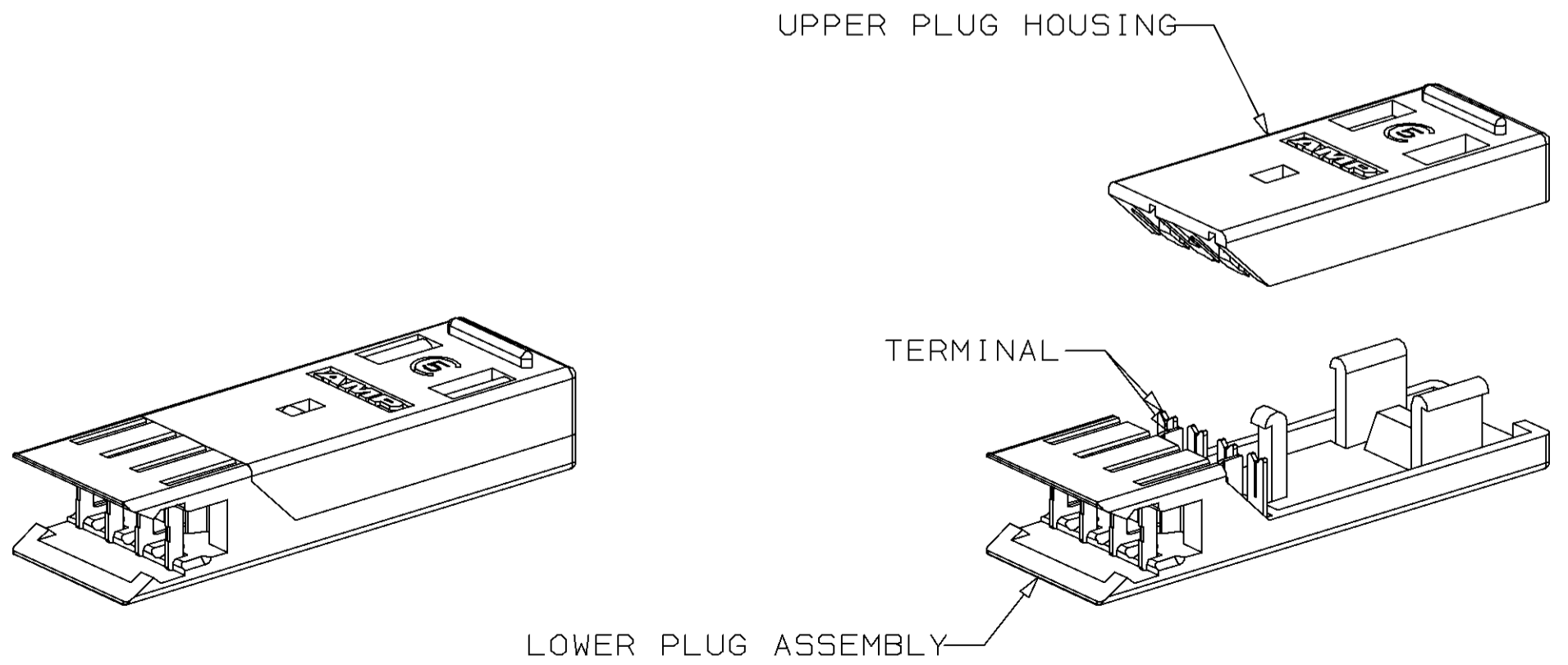
LOC		DIST		REVISIONS			
P	LTR	DESCRIPTION		DATE	DWN	APVD	
AA	28	C		ADD:3/1; NPR C98-64 & EC 0502-0208-98	11MAY98	GG	SH



- 1 MATERIAL:  
 HOUSING-POLYCARBONATE, IVORY, UL 94V-0.  
 TERMINALS- 0.41 [.016] THICK PHOSPHOR BRONZE  
 PLATED WITH 0.00381 [.000150] MINIMUM THICK  
 BRIGHT TIN-LEAD OVER 0.00127-0.00330  
 [.000050-.000130] THICK NICKEL UNDERPLATE.
- 2. EDIT KIT SHIPPED NOT ASSEMBLY.
- 3 SEE RESTRICTED CUSTOMER DRAWING 2-569478-1.
- 4 SEE RESTRICTED CUSTOMER DRAWING 3-569478-1.

WAS 95-2238-24 REV 0; 569478 REV 4

569478



-	4
-	3
W/O AMP LOGO	1-569478-1
WITH AMP LOGO	569478-1
DESCRIPTION	PART NO

THIS DRAWING IS A CONTROLLED DOCUMENT.		DWN K. BARKER 08/03/95	AMP Incorporated Harrisburg, PA 17105-3608	
DIMENSIONS: mm (INCHES)		CHK D. AHERON 11/02/95	<b>AMP</b> PLUG KIT, 2 PAIR, 110 PATCHCORD	
TOLERANCES UNLESS OTHERWISE SPECIFIED:		APVD G. REED 11/02/95		
0 PLC ±- 1 PLC ±- 2 PLC ±- 3 PLC ±- 4 PLC ±- ANGLES ±- FINISH ±-		PRODUCT SPEC -	SIZE A2	CAGE CODE 00779
MATERIAL		APPLICATION SPEC -	DRAWING NO C-569478	SCALE 2:1
		WEIGHT -	SHEET 1 OF 1	REV C
		CUSTOMER DRAWING		